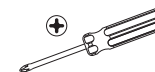
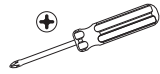


Tools Required



Phillips Screwdriver

Tools Required



Phillips Screwdriver

1. Mouse Platform Removal

For Clip Mouse Platform (figure 1)

Step 1

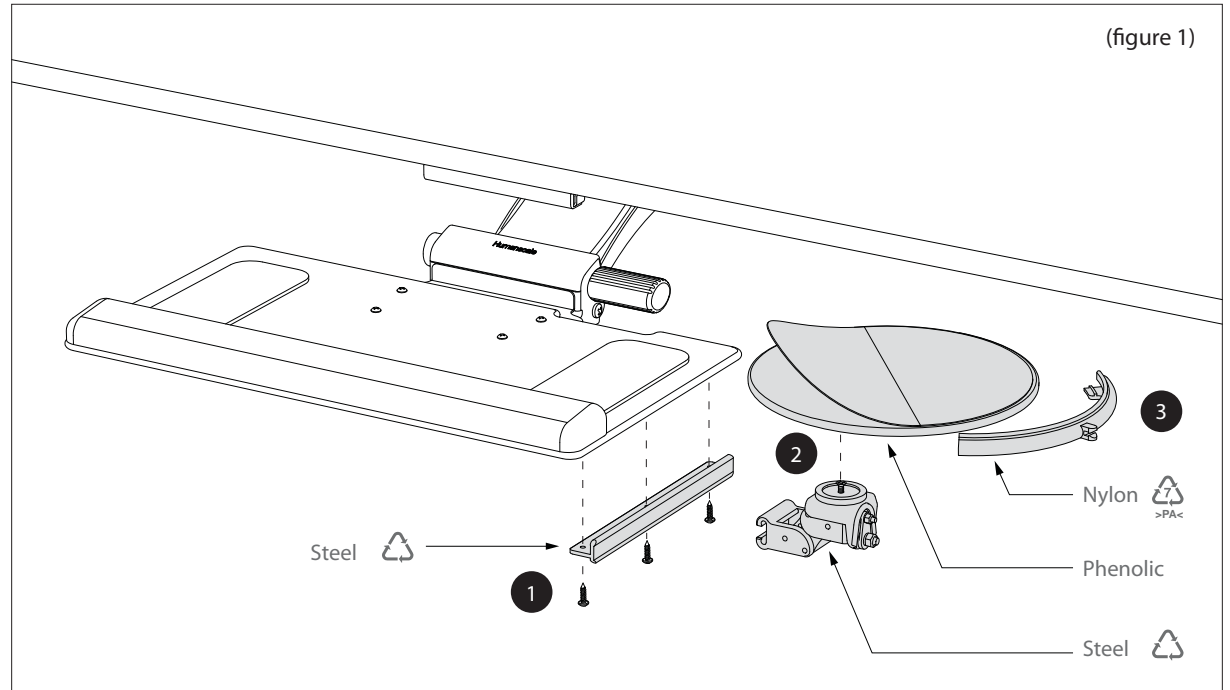
Remove 3 screws from keyboard tray using a Phillips Screw Driver.

Step 2

Remove screw under mouse platform sticker.

Step 3

Unclip platform edge strip.



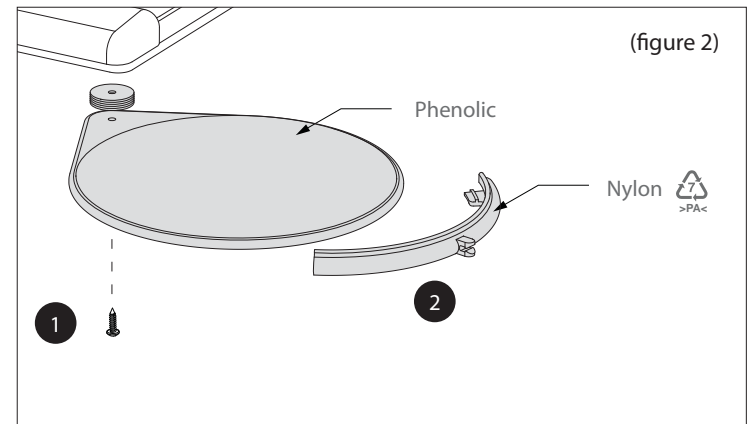
For Swivel Mouse Platform (figure 2)

Step 1

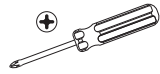
Remove screw from located at bottom of mouse platform using a Phillips Screw Driver.

Step 2

Unclip platform edge strip.



Tools Required



Phillips Screwdriver

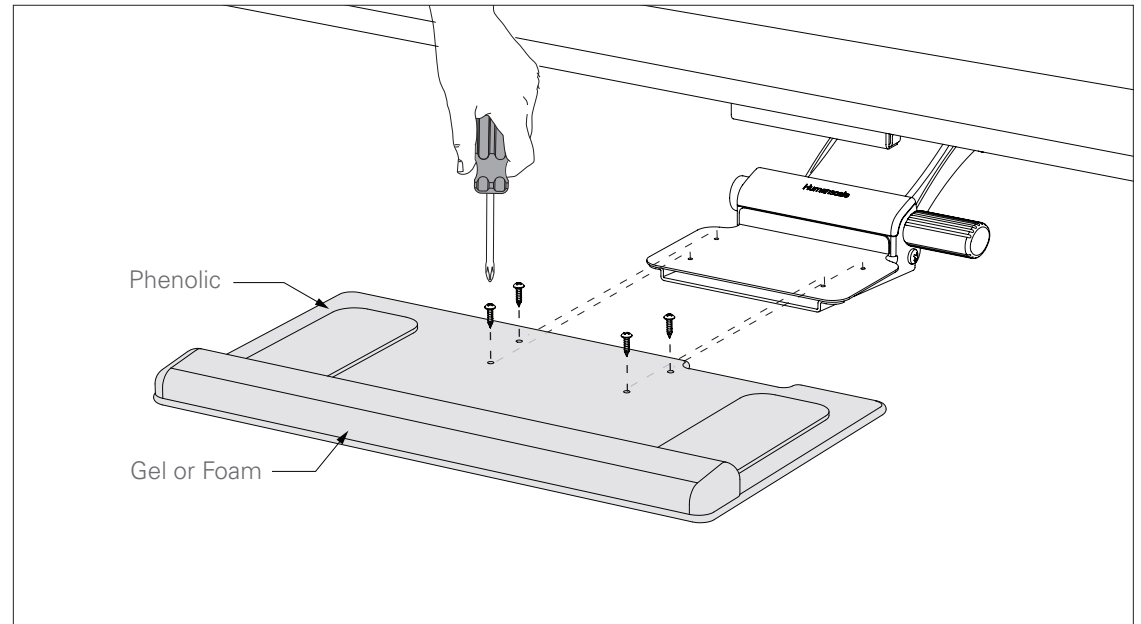
2. Keyboard Tray Removal

Step 1

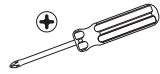
Remove screws from keyboard tray using a Phillips Screw Driver.

Step 2

Discard parts for proper recycling.



Tools Required



Phillips Screwdriver

3. Mechanism Removal

Step 1 (figure 1)

Remove front screws from bracket using a Phillips Screw Driver.

Step 2 (figure 1)

Once bracket is removed, slide tray arm forward to remove.

Step 3 (figure 2)

Remove mounting screws using a Phillips Screw Driver.

